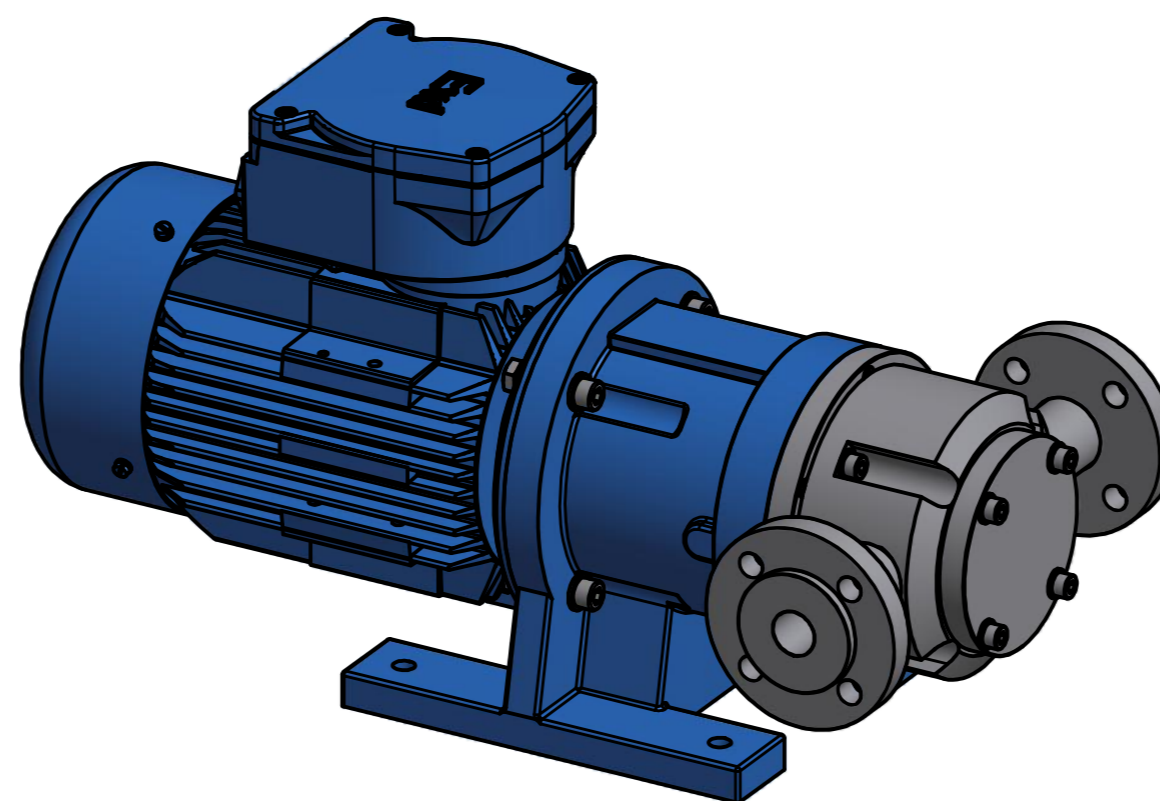


DIMENSIONS
in mm
* may change with different motor manufacturer

DRIVE
Explosion proof TEFC three phase asynchronous squirrel cage electric motor
acc. to IEC Standards
Manufacturer: Barterc Varnost
Size: IEC90 B5, 1,5kW, 1450 rpm

CONNECTIONS
Lap Joint Flange DN25 PN16-40
or
1" BSP female



Alle Angaben unverbindlich, technische Änderungen vorbehalten! Technical data not binding and subject to change!
Copyright MARCH PUMPEN GmbH & Co.KG 2014

		MARCH PUMPEN GmbH Rätthausstraße 2 D-35394 Gießen Tel.: (+49) (0)641-686806-0 Fax.: (+49) (0)641-686806-60				1:2		Pump weight: 65kg	
		Datum 30.07.2019		Name Lach		VANE-MAG MPA 3.2° Range SSF - IEC90 - 4KTC			
		Gezeichnet		Kontrolliert		Norm		DPMPA-1014.2-2414.2	
								1 A2	
Status	Änderungen	Datum	Name						